



中国认可
国际互认
检测
TESTING
CNAS L6478



TEST REPORT

Reference No. : WTF20F10072676C
Applicant : Mid Ocean Brands B.V.
Address : 7/F., Kings Tower, 111 King Lam Street, Cheung Sha Wan, Kowloon, Hong Kong
Manufacturer : 104901
Sample Name : Ball pen
Model No. : MO6153
Test Requested : 1) Determination of Lead content in the submitted sample in accordance with REACH regulation Annex XVII Entries 63 (EC) No. 1907/2006 and the amendment No. 836/2012 and (EU) 2015/628
2) Determination of Cadmium content in the submitted sample in accordance with REACH regulation Annex XVII Entries 23 (EC) No. 1907/2006 and the amendment No. 552/2009, No. 494/2011, No. 835/2012 and (EU) 2016/217
3) Determination of specified Phthalates content according to Annex XVII Items 51 & 52 of the REACH Regulation (EC) No. 1907/2006 & Amendment No. 552/2009 & No. 2018/2005
Test Method : Please refer to next page (s)
Test Conclusion : Please refer to next page (s)
Date of Receipt sample : 2020-10-09
Date of Test : 2020-10-09 to 2020-10-14
Date of Issue : 2020-10-14
Test Result : Please refer to next page (s)

Remarks:

The results shown in this test report refer only to the sample(s) tested; this test report cannot be reproduced, except in full, without prior written permission of the company. The report would be invalid without specific stamp of test institute and the signatures of compiler and approver. If the report is not stamped with the accreditation recognized seal, it will only be used for scientific research, education, and internal quality control activities, and is not used for the purpose of issuing supporting data to the society.

Prepared By:

Waltek Testing Group (Foshan) Co., Ltd.

Address: No.13-19, 2/F., 2nd Building, Sunlink International Machinery City, Chencun, Shunde District, Foshan, Guangdong, China

Tel:+86-757-23811398 Fax:+86-757-23811381 E-mail:info@waltek.com.cn

Compiled by:

Rena Chen

Rena.Chen / Project Engineer

Approved by:

Swing Liang

Swing.Liang / Technical Manager

**Test Result:****1) Lead (Pb)**

Test Method: With reference to IEC 62321-5:2013, the analysis was performed by ICP-OES.

Test Item	LOQ (mg/kg)	Results (mg/kg)		Limit (mg/kg)
		No.1+No.2	No.3+No.4+No.9	
Lead(Pb)	2	ND*	ND*	500
Conclusion	--	Pass	Pass	--

Test Item	LOQ (mg/kg)	Results (mg/kg)		Limit (mg/kg)
		No.5	No.6	
Lead(Pb)	2	ND	ND	500
Conclusion	--	Pass	Pass	--

Test Item	LOQ (mg/kg)	Results (mg/kg)			Limit (mg/kg)
		No.7	No.8	No.10	
Lead(Pb)	2	ND	ND	ND	500
Conclusion	--	Pass	Pass	Pass	--

Note:

- (1) mg/kg = milligram per kilogram
- (2) ND = Not Detected (lower than LOQ)
- (3) LOQ = Limit of quantitation
- (4) Limit of Lead was quoted from REACH regulation Annex XVII Item 63 (EC) No. 1907/2006 and the amendment No. 836/2012 and (EU) 2015/628.
- (5) "*" = Results are calculated by the minimum weight of mixed components.



2) Cadmium (Cd)

Test Method: With reference to IEC 62321-5:2013, the analysis was performed by ICP-OES.

Test Item	LOQ (mg/kg)	Results (mg/kg)	
		No.1+No.2	No.3+No.4+No.9
Cadmium(Cd)	2	ND*	ND*
Conclusion	--	Pass	Pass

Test Item	LOQ (mg/kg)	Results (mg/kg)		
		No.5	No.8	No.10
Cadmium(Cd)	2	ND	ND	ND
Conclusion	--	Pass	Pass	Pass

Note:

- (1) mg/kg = milligram per kilogram
- (2) ND = Not Detected (lower than LOQ)
- (3) LOQ = Limit of quantitation
- (4) Limit of Cadmium according to REACH regulation Annex XVII Item 23 (EC) No. 1907/2006 and the amendment No. 552/2009, No. 494/2011 and No. 835/2012 and (EU) 2016/217.

Category	Limit (mg/kg)
Wet paint	100
Surface coating	1000
Plastic	100
Metal parts of jewellery and hair accessories	100

- (5) "*" = Results are calculated by the minimum weight of mixed components.

WALTEK



3) Phthalates

Test Method: With reference to EN14372:2004, by Gas Chromatographic-Mass Spectrometric (GC-MS) analysis.

Test Items	MDL (%)	Results (%)	Limit (%)
		No.5	
Benzyl butyl phthalate (BBP)	0.005	ND	sum of four phthalates < 0.1
Di (2-ethyl hexyl)- phthalate (DEHP)	0.005	ND	
Dibutyl phthalate (DBP)	0.005	ND	
Diisobutyl phthalate (DIBP)	0.005	ND	
Diisodecyl phthalate (DIDP)	0.01	ND	sum of three phthalates < 0.1
Diisononyl phthalate (DINP)	0.01	ND	
Di-n-octyl phthalate (DNOP)	0.005	ND	
Conclusion	--	Pass	--

Note:

DBP= Dibutyl phthalate

BBP= Benzyl butyl phthalate

DEHP= Bis-(2-ethylhexyl)- phthalate

DINP= Di-isononyl phthalate

DNOP= Di-n-octyl phthalate

DIDP= Di-isodecyl phthalate

DIBP= Diisobutyl phthalate

(1) % = percentage by weight

(2) ND = Not detected or Less than the method detection limit

(3) MDL=Method Detection Limit

(4) "<" = less than

(5) The above limit was quoted according to Annex XVII Items 51 & 52 of the REACH Regulation (EC) No. 1907/2006 & Amendment No. 552/2009 & No. 2018/2005 (formerly known as Directive 2005/84/EC) for phthalate content in toys and child care articles.

Test Specimen Description:

No.1: White plastic cap with silvery plating

No.2: Brown plastic tube

No.3: Grey plastic end

No.4: White plastic end

No.5: Black soft plastic cap

No.6: Silvery metal spring

No.7: Silvery metal clip

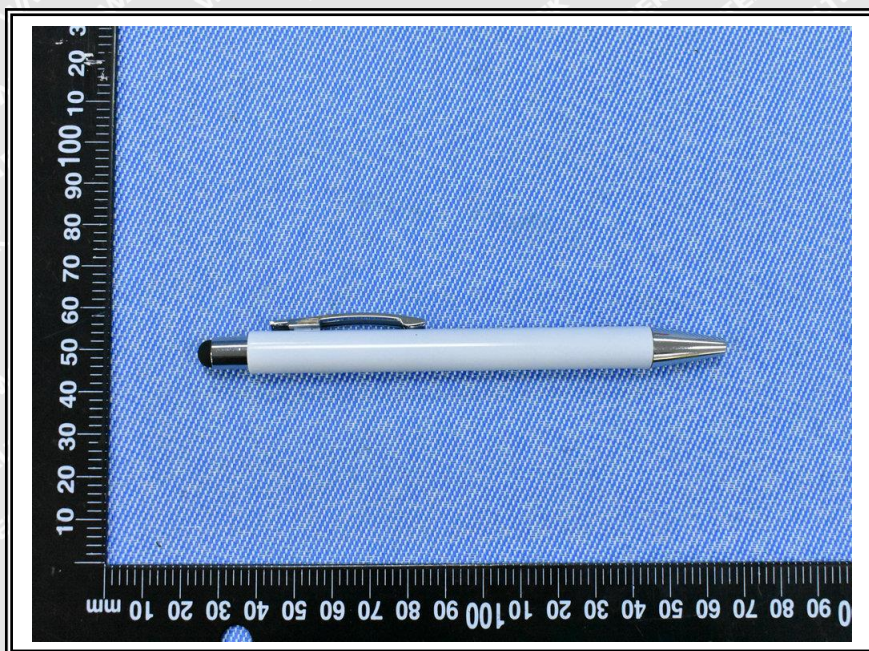
No.8: Black plastic barrel with white coating

No.9: White plastic refill

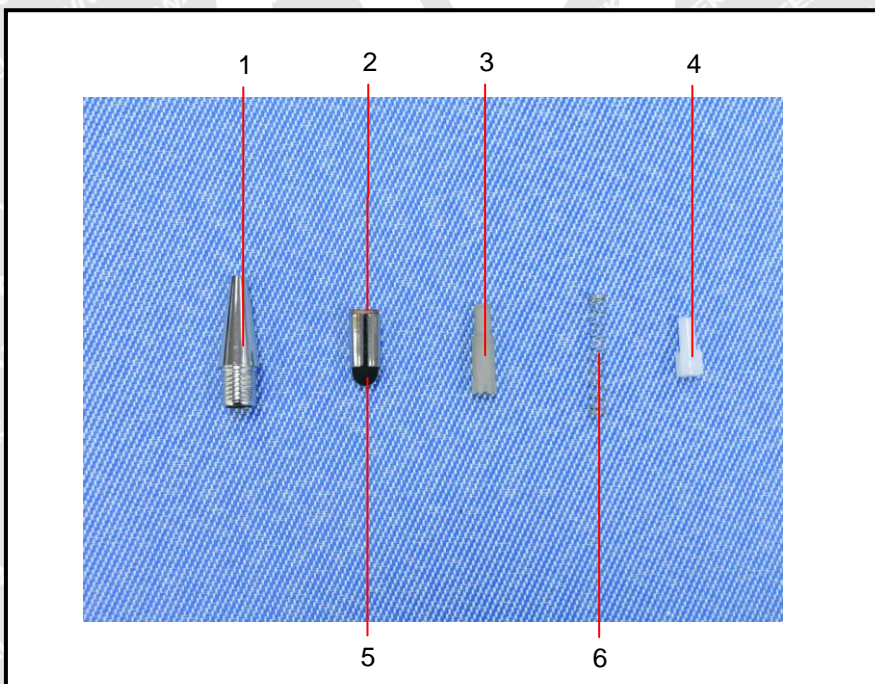
No.10: Blue ink

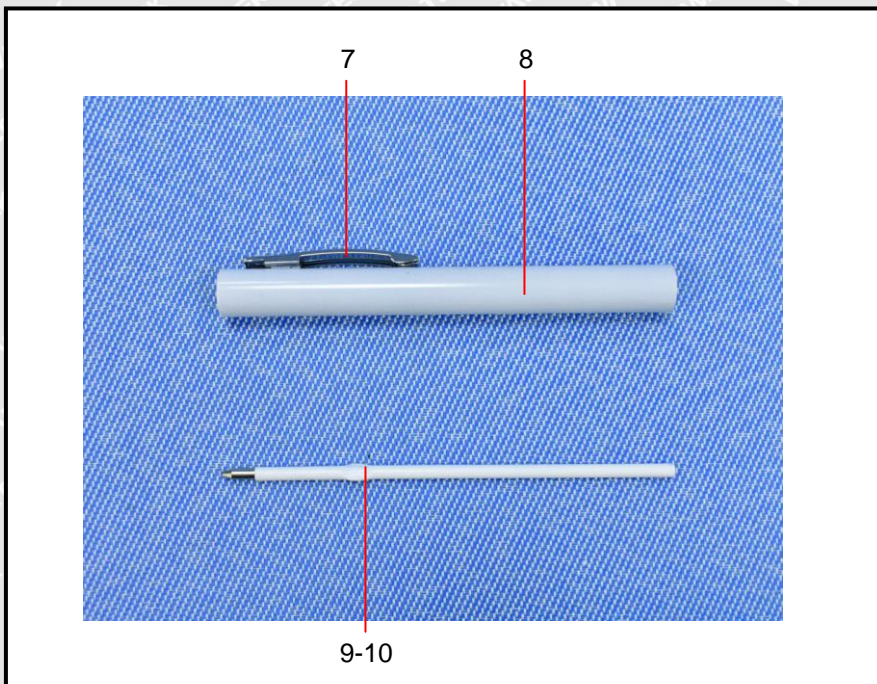


Sample photo:



Photographs of parts tested:





===== End of Report =====

WALTEK